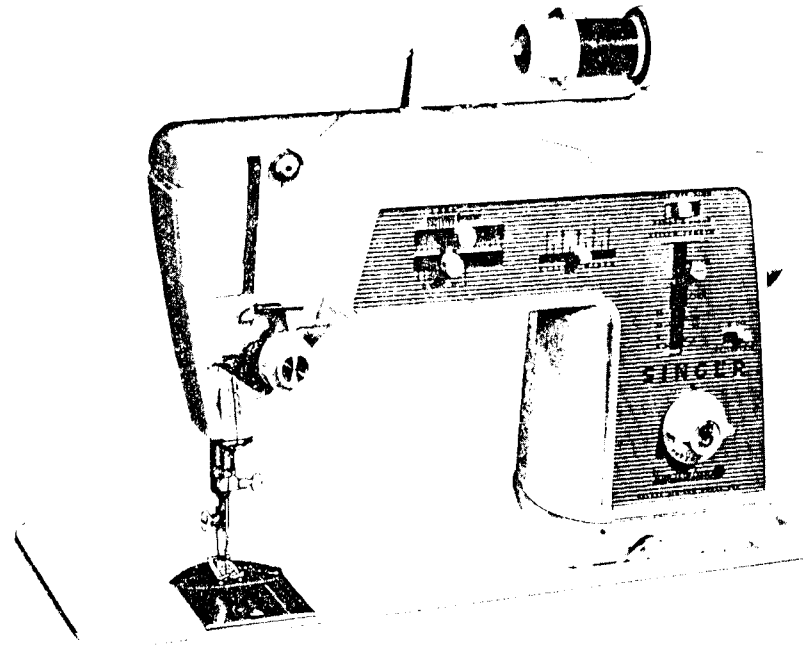


SINGER
635E3/635E6/635E7

List of Parts—Machines Nos. 635E3, 635E6 and 635E7



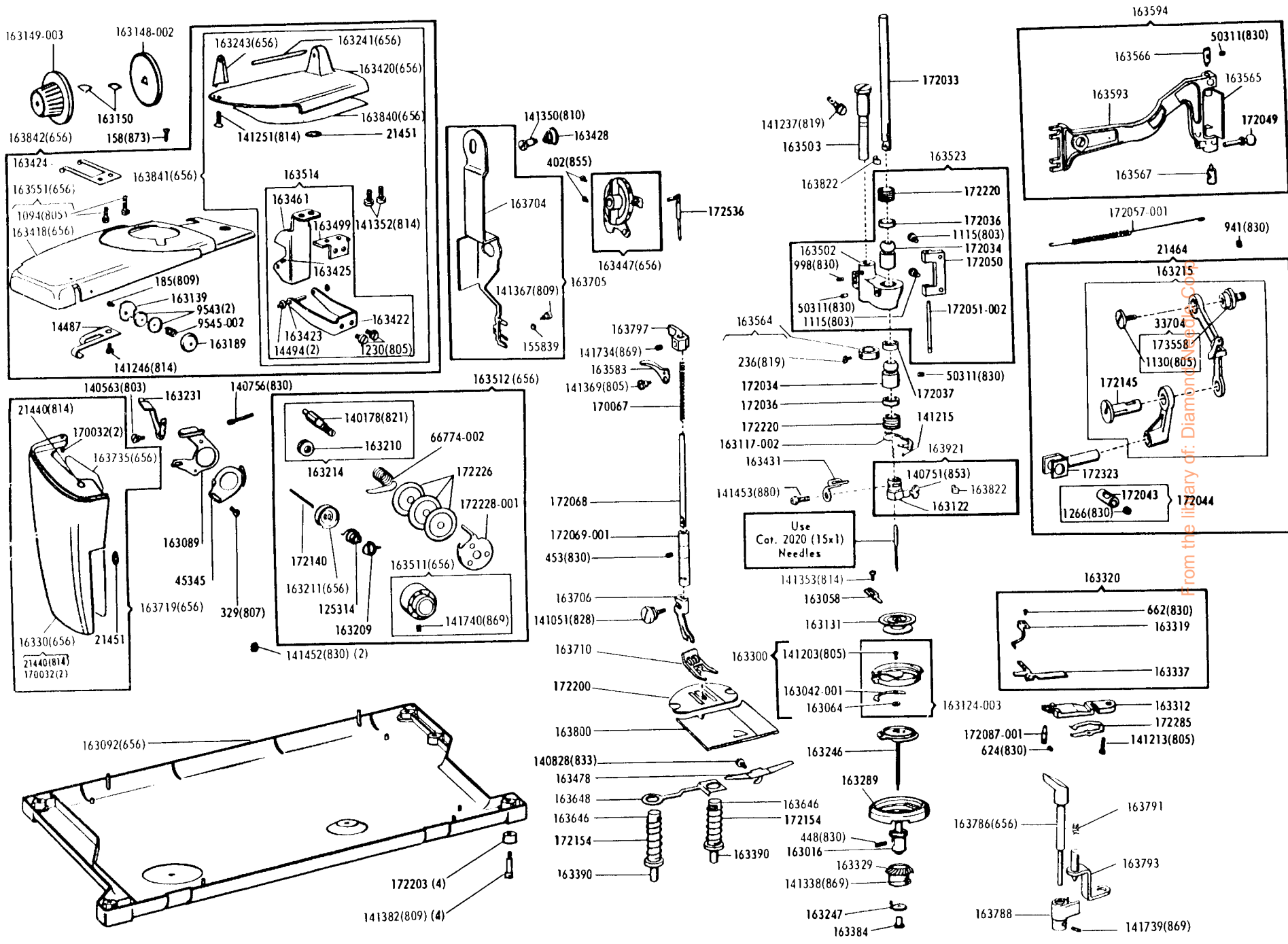
CIRCULAR DECORATOR
ATTACHMENT 161847(656)

141347(807) Circular Decorator Attachment
Thumb Screw
161846 Attachment Box (cardboard)
163399 Circular Decorator Attachment Arm
163407 Circular Decorator Attachment
Base with 141347(807)
163409(656) Circular Decorator Attachment Knob
163437 Circular Decorator Attachment Arm
Catch Spring

ATTACHMENT SET 161931

21906 Chainstitch Attachment Loop
Retainer Disc
21913 Chainstitch Attachment Throat
Plate
81200 Binder (slotted)
161133 Tube of Oil
161166 Zipper Foot
161168 Presser Foot for button sewing
161172 Seam Guide
161276 Lint Brush
161917 Presser Foot Plate (snap-on,
plastic) for sewing buttonholes
161919 Presser Foot Plate (snap-on)
for straight sewing
161921 Presser Foot Plate (snap-on,
slotted) for Overlocking; for use
with Disc No. 163369
161922 Attachment Box
161960 Glassine Envelope containing
two needle threader hooks and
Instruction Form 21632
163131 Bobbin (2)
163242(656) Spool Pin for two needle sewing
163369 Disc No. 22, for Stretch Stitch
for stitching stretch material,
for use with No. 161921
163455 Chainstitch Attachment Thread Guide
163456 Chainstitch Attachment Set complete,
Nos. 21906, 21913 and 163455
163483 Presser Foot for Applique
172187 Disc No. 2, for Scallop Stitch
172189 Disc No. 3, for Diamond Stitch
172190 Disc No. 4, for Solid Scallop Stitch
172191 Disc No. 5, for Banner Stitch
172229 Disc No. 6, for Crescent Stitch
172230 Disc No. 7, for Icicle Stitch
174529 Throat Plate for straight sewing
174534 Disc No. 12, for Domino Stitch
174535 Disc No. 13, for Faceting Stitch
174536 Disc No. 14, for Comb Stitch
174537 Disc No. 15, for Thunderbird Stitch
174539 Disc No. 19, for Block Stitch
174540 Disc No. 11, for Ribbon Stitch
174544 Disc No. 16, for Chag Stitch
174546 Disc No. 20, for Walls of Troy Stitch
174547 Disc No. 21, for Chevron Stitch
----- Needle Cat. 2020 size 14 (3)
----- Needle Cat. 2020 size 16 (3)
----- Twin Needle Cat. 2028, size 14

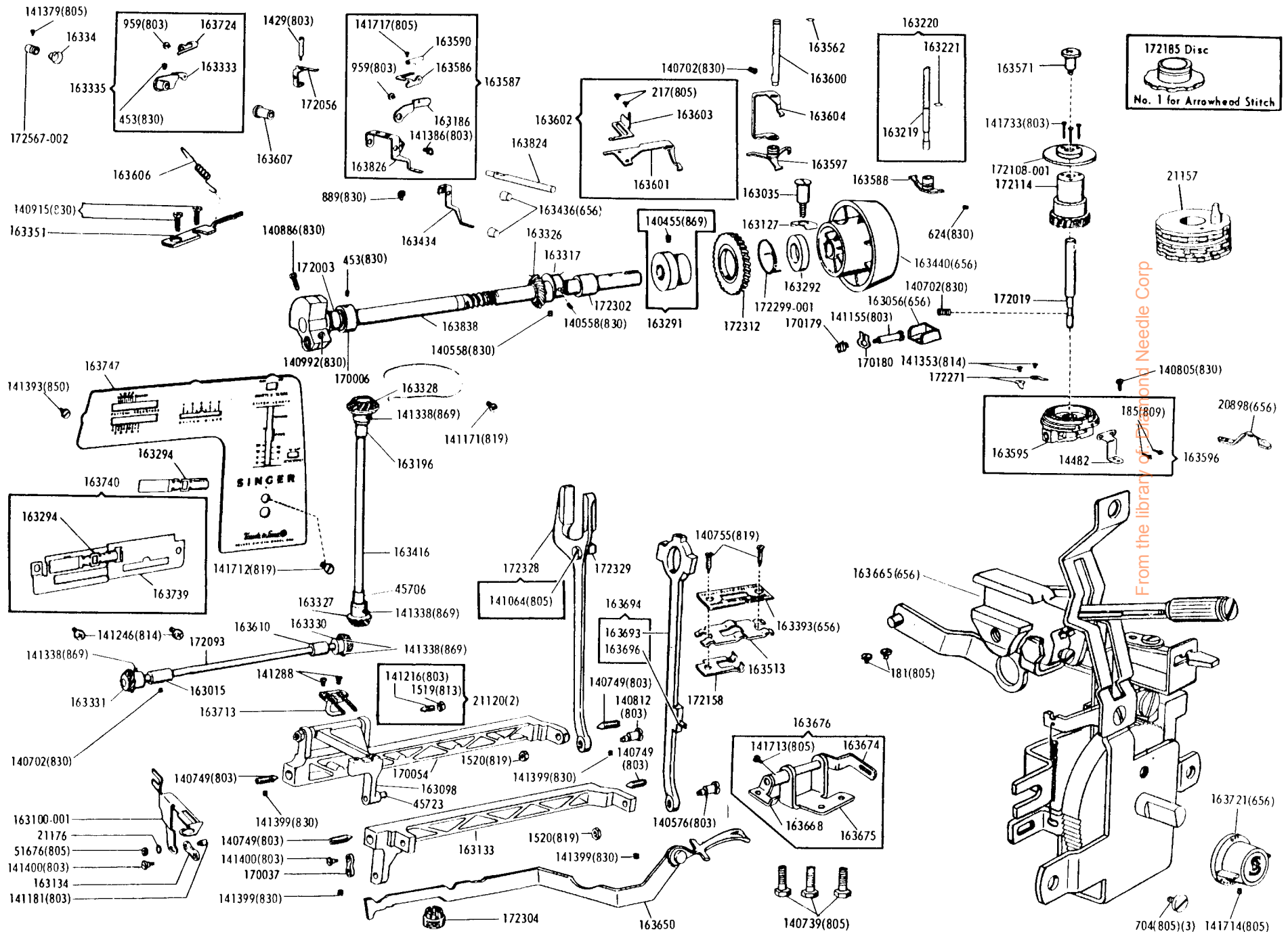
List of Parts—Machines Nos. 635E3, 635E6 and 635E7



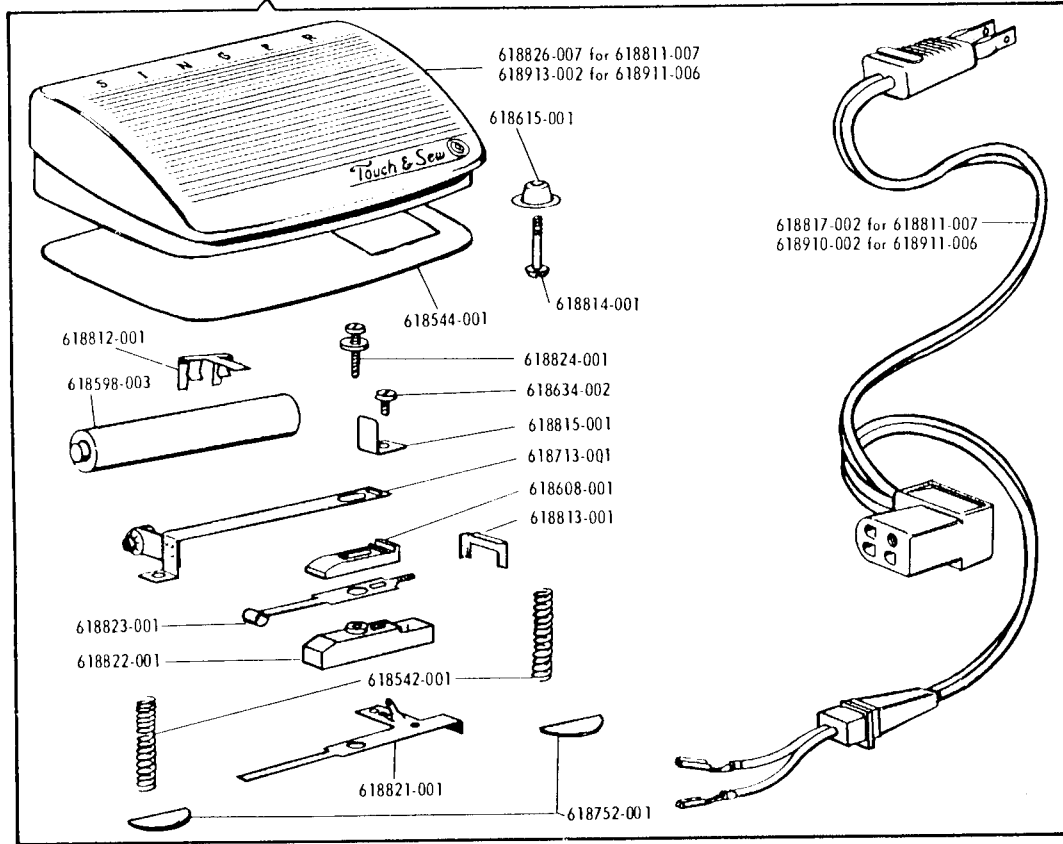
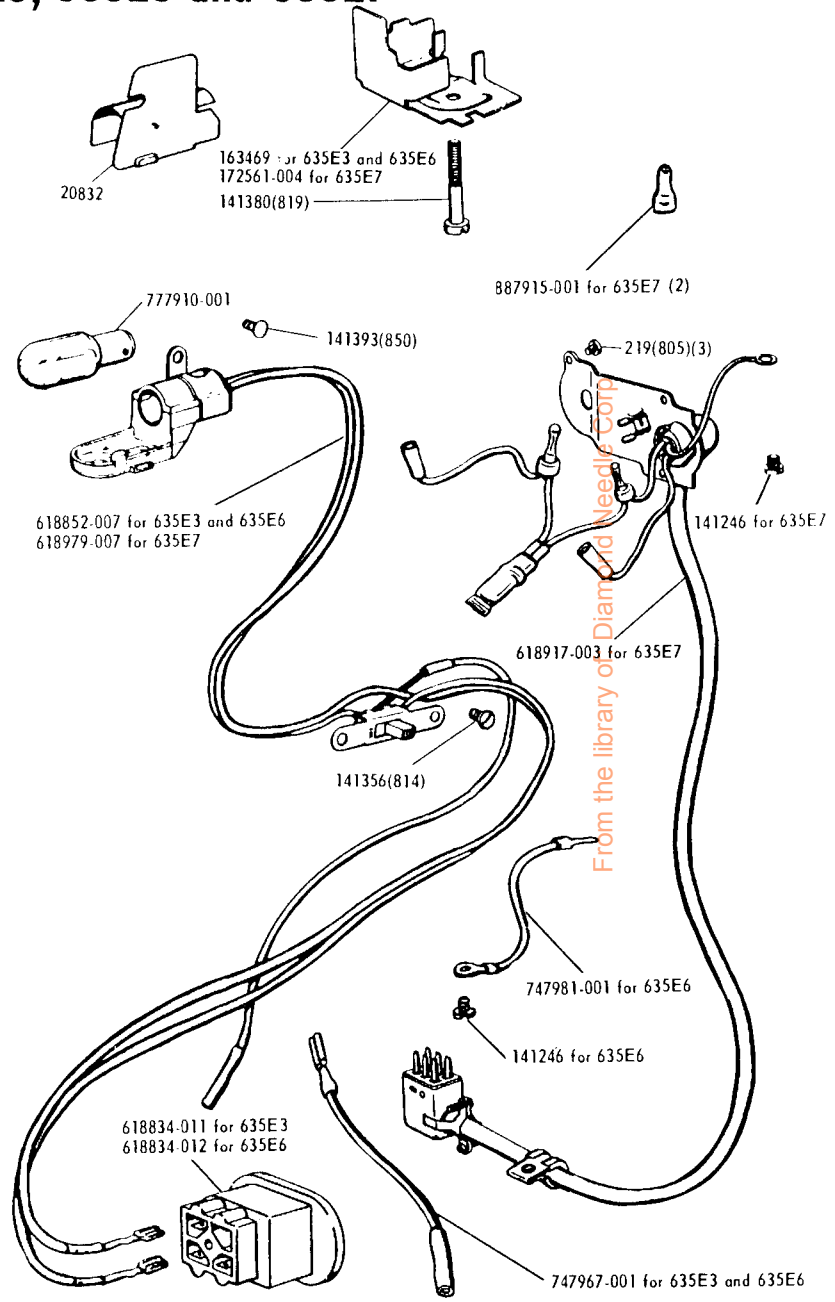
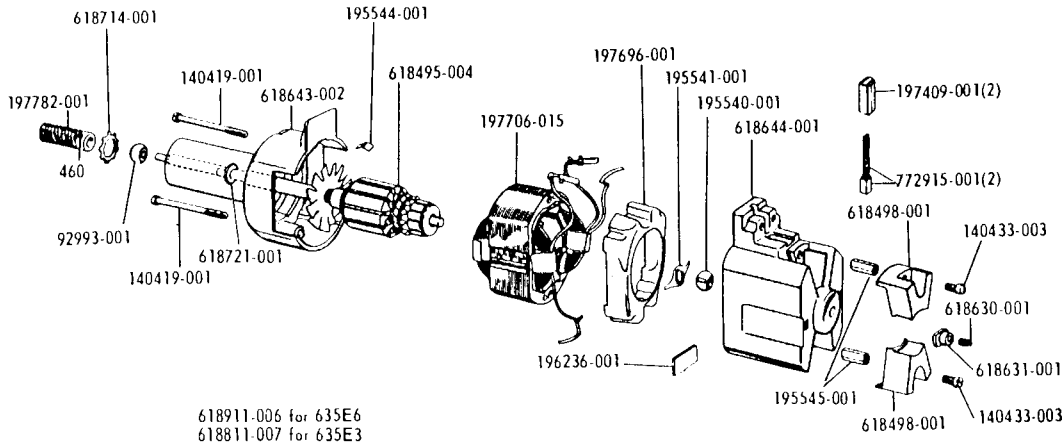
Use Cot. 2020 (15x1) Needles

From the library of: Diamond

List of Parts—Machines Nos. 635E3, 635E6 and 635E7



Electrical Parts—Machines Nos. 635E3, 635E6 and 635E7



From the library of Diamond Needle Corp.

